

1 Read This First !

Congratulations...

On your choice of a Tally Dascom label printer.

Please take a moment to read this Quick Start Guide which will familiarise yourself with the printer and its operation. The printer is a sophisticated but easy-to-use label printer featuring simple media loading and quick connection.

We will guide you through unpacking the printer from its carton, connection to your computer system and installation of the media including a quick self-test of the printer to ensure it is working.

Safety

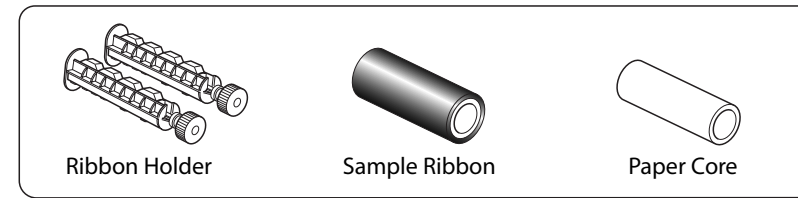
If you have not done so already, please carefully read the safety instructions included at the beginning of this Quick Start Guide and in more detail on the user manual included on the CD-ROM. Failure to observe the safety precautions could cause serious injury or damage to both you and your property.

Unpacking Your Printer

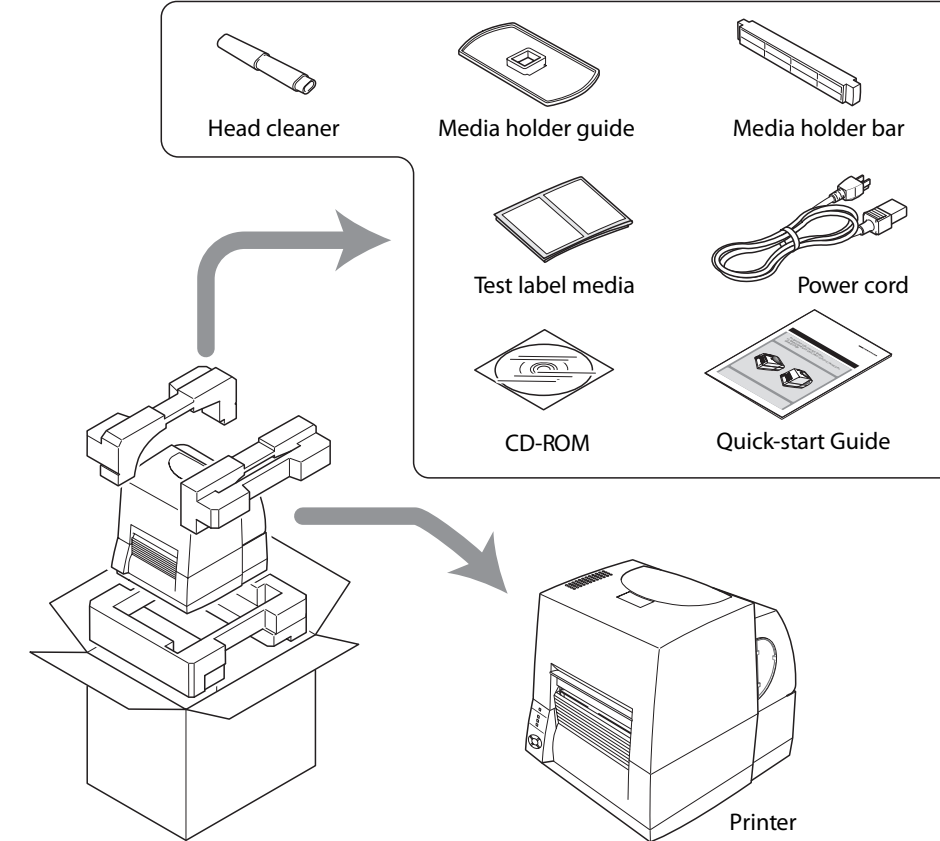
- Carefully unpack your new printer and ensure all the items shown on the adjacent picture are present in your printer's carton. In some cases, your supplier or Tally Dascom may have added extra items required for your particular installation such as additional CD-ROM, cable or manuals. Instructions for each of these items will be included within the individual packages.
- If you have any questions, or if you find any of the items are missing, please initially refer back to your supplier. Otherwise, contact details for Tally Dascom's regional offices are shown on the back page of this Quick Start Guide.
- The printer is shipped with adhesive tape in place to hold the top cover closed. Simply remove the two pieces of tape on either side of the top cover. Then simply open the cover by lifting up and tipping it backwards.
- There is another strip of adhesive tape that must be removed which holds the mechanism closed for shipping. Remove the tape and attached paper by carefully peeling from the plastic case.

Basic Carton Contents

The following items are only present in the 7206 and 7206-300 cartons:

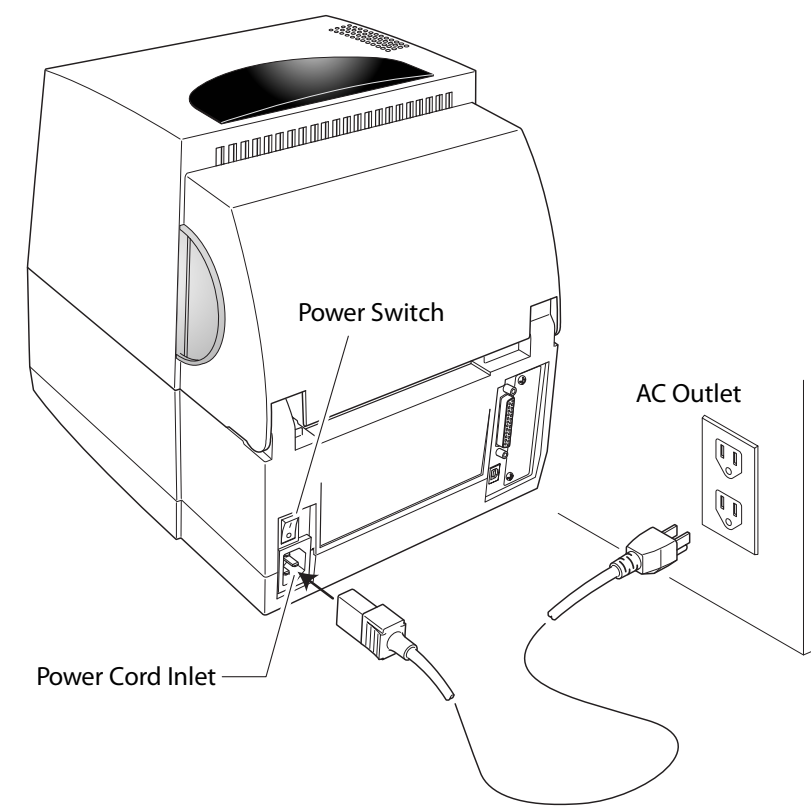


The following items are present in all cartons:



2 Connection to Power

- Check that the power switch to the printer is turned OFF.
- Connect the power cord to the printers power socket.
- Insert the mains plug in to the AC outlet.



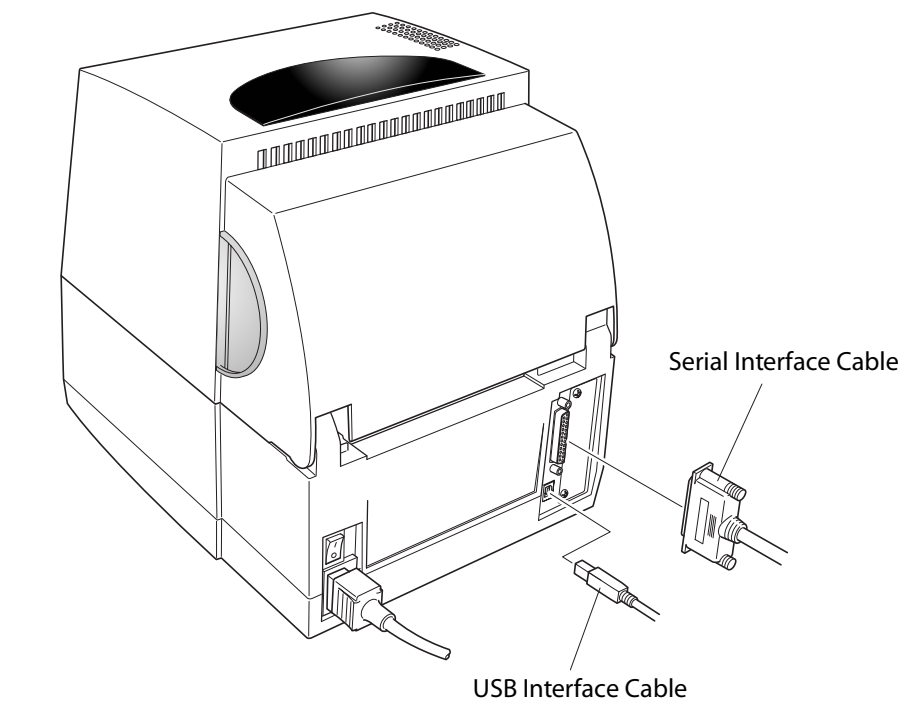
Use an AC outlet that accepts a three-pronged plug. Otherwise, static electricity may be generated and there will be danger of electric shock.

Connection to a Computer

This product has two interfaces that can be used to receive printing data: a serial port (RS232C) and a USB port (USB1.1). An optional internal Ethernet, an IEEE1284 Parallel or Wireless LAN interface can be added by your dealer. If an optional network interface is used, contact your Tally Dascom Systems dealer.

With the exception of a wireless LAN connection, an interface cable is necessary to connect the printer to a computer. To connect the cable, proceed as follows:

- Turn OFF the power switches of both the printer and the computer.
- Connect one end of the interface cable to the interface connector on the back of the printer and secure it with locks or locking screws, where available.
- Connect the other end of the interface cable to the interface connector on the computer and secure it with locks or locking screws, where available.



For Further Information . . .

For further information and more detailed instructions on the use of your new printer, please refer to the complete user manual included on the CD-ROM accompanying your printer. Alternatively, you can download the user manual and additional data from Tally Dascom's websites shown below.

DASCOM REPRESENTATIVES

GERMANY
DASCOM Europe GmbH
Heuweg 3
D-89079 Ulm
Deutschland
Tel.: +49 (0) 731 2075 0
Fax: +49 (0) 731 2075 100
www.dascom.com

FRANCE
DASCOM Europe GmbH
117 Avenue Victor Hugo
92100 Boulogne-Billancourt
France
Phone: +33 (1) 73 02 51 98
www.dascom.com

UNITED KINGDOM
DASCOM GB Ltd
ViewPoint, Basing View,
Basingstoke, Hampshire
RG21 4RG, England
Phone: +44 (0) 1256 481481
Fax: +44 (0) 1256 481400
www.dascom.com

RUSSIA and CIS
DASCOM Europe GmbH
Representation Moscow
Leninsky Prospekt 95a, Office 322
119313 Moscow, Russian Federation
Phone: +7 (495) 984 70 65
Fax: +7 (495) 984 56 42
www.dascom.com

SINGAPORE
DASCOM AP Pte Ltd
63 Hillview Avenue
#08-22, Lam Soon Industrial Building
Singapore 669569
Phone: +65 6760 8833
Fax: +65 6760 1066
www.dascom.com

CEE
DASCOM Europe GmbH
Europaring F15 301
2345 Brunn a. G.
Austria
Phone: +43 (1) 236 01 70 10
www.dascom.com

AMERICAS
DASCOM Americas Corporation
421 W. Main Street
Waynesboro, VA 22980
USA
Phone: +1 (877) 434 13 77
www.dascom.com

All rights reserved
© August 2010 DASCOM Europe GmbH
Printed in China

379854a-EN
JM74992-00F

Safety Instructions - which must be strictly observed

- Read all of these instructions and save them for later reference.
- Follow all warnings and instructions marked on the product.
- Unplug this product from the wall outlet before cleaning. Do not use liquid or aerosol cleaners. Immerse, retrowash, steam, benzene, kerosene or similar chemicals. Instead use a damp cloth for cleaning when the printer is disconnected from the mains supply.
- Do not use the product near water or where a chemical reaction can occur such as in a laboratory or where there is a lot of dust.
- Do not place this product on an unstable cart, stand or table. The product may fall, causing serious damage to the product and injury to persons.
- Slots and openings on the cabinet and the back or bottom are provided for ventilation. The product should never be blocked by placing the product on a bed, sofa, rug or other similar surface. This product should never be placed on or over a radiator or heat source. This product should not be placed in a built-in installation unless proper ventilation is provided.
- The product should be operated from the type of power source indicated on the marking label. If you are not sure of the type of power available, consult your dealer or local power company.
- This product is equipped with a three-pronged plug. This plug will only fit into a grounding-type power outlet. If you are unable to insert the plug into the outlet, contact your electrician to replace your power outlet. This is a safety feature. If you are unable to insert the plug into a grounding-type power outlet, do not attempt to force the plug into the outlet. Do not use any other means to force the plug into the outlet. Do not allow anything to rest on the power cord. Do not locate this product where the cord will be walked on. Do not pull on the power cord or drape cables or hang them under tension.
- If an extension cord is used with this product, make sure that the total of the ampere ratings on the products plugged into the extension cord do not exceed the extension cord ampere rating. Also, make sure that the total of all products plugged into the wall outlet does not exceed 7.5 amperes for a 220/240V outlet and 15 amperes for a 120V outlet.
- Never push objects of any kind into this product through slits or holes as they may touch dangerous voltage points or short out parts of the product.
- Do not touch metal parts of the product. Never spill liquid of any kind on the product.
- Explosion or fire hazard: Do not use this product in a hazardous atmosphere. Refer to the user manual for details on opening and removing these covers that are marked "Do Not Remove". May expose you to dangerous voltage points or other risks. Refer to all warnings on the product.
- Do not use this product in a hazardous atmosphere. Refer to the user manual for details on opening and removing these covers that are marked "Do Not Remove". May expose you to dangerous voltage points or other risks. Refer to all warnings on the product.
- Those compartments to service personnel.
- The mains plug on this equipment must be used to disconnect mains power. Please ensure that the socket outlet is installed near the equipment and shall be easily accessible.
- Unplug this product from the wall outlet and refer servicing to qualified service personnel under the following conditions:
 - The power cord or plug is damaged or frayed.
 - Liquid, aerosol chemicals or other materials have been spilled into the product.
 - If the product has been exposed to rain or water or excessive humidity.
 - If the product does not operate normally when the operating instructions are followed. Adjust only those controls that are covered by the operating instructions since improper adjustment of other controls may result in damage and will often require extensive work by a qualified technician to restore the product to normal operation.
 - If the product exhibits a distinct change in performance, including a change in the sound or the character of the output.
 - If the product has been dropped or knocked or the cabinet has been damaged.
 - If the product has been used for a purpose not intended by the manufacturer.
- The contents of this manual may be changed without prior notice.
- Reproduction, transfer or transmission of the contents of this manual is strictly prohibited.
- We are not liable for any damage resulting from the use of the information contained herein, regardless of errors, omissions, or misprints.

Etat de Conformité EMI à l'usage des Utilisateurs Canadiens
Cet équipement produit et utilise l'énergie à radiofréquence et n'est pas installé et utilisé conformément, c'est-à-dire en accord strict avec les instructions du fabricant. Il risque de produire des interférences avec la réception de radio et de télévision.
Le présent appareil numérique n'émet pas de bruit radio électromagnétique susceptible de causer des interférences avec les appareils numériques de la classe A prescrites dans le Règlement sur le brouillage radioélectrique édicté par le ministre des Communications du Canada.
Cet équipement est conçu pour fonctionner conformément aux normes de protection radiométrique contre des interférences dans une installation résidentielle. Cependant, il n'y a pas de garantie contre les interférences avec les récepteurs radio ou télévision, provoquées par la mise en marche et l'arrêt de l'équipement. Il est demandé à l'utilisateur d'essayer de corriger l'interférence par l'une ou plus des mesures suivantes:
1. Réorienter l'antenne de réception.
2. Brancher l'équipement dans une prise de courant différente de façon à ce que l'émission et le récepteur soient branchés sur des circuits différents.
3. Brancher l'équipement dans une prise de courant différente de façon à ce que l'émission et le récepteur soient branchés sur des circuits différents.

EMC Compliance Statement for Canadian Users
This equipment generates and uses radio frequency energy and if not installed and used properly, that is, in strict accordance with the manufacturer's instructions, may cause interference to radio and television reception. This digital apparatus does not exceed the Class A limits for radio noise emissions from digital apparatus set out in the Radio Interference Regulations of the Canadian Department of Communications. This equipment is designed to provide reasonable protection against such interference in a residential installation. However, there is no guarantee that interference will not occur in a particular installation. If this equipment does cause interference to radio or television reception, which can be determined by turning the equipment off and on, the user is encouraged to try to correct the interference by one or more of the following measures:
1. Reorient or relocate the receiving antenna.
2. Connect the equipment into an outlet on a circuit different from that to which the receiver is connected.
3. Consult the dealer or an experienced radio/TV technician for help.

FCC Compliance Statement for American Users
This equipment has been tested and found to comply with the limits for Class A digital device, pursuant to Part 15 of the FCC Rules. This equipment generates and uses radio frequency energy and if not installed and used properly, it may cause interference to radio or television reception, which can be determined by turning the equipment off and on. The user is encouraged to try to correct the interference by one or more of the following measures:
1. Reorient or relocate the receiving antenna.
2. Connect the equipment into an outlet on a circuit different from that to which the receiver is connected.
3. Consult the dealer or an experienced radio/TV technician for help.

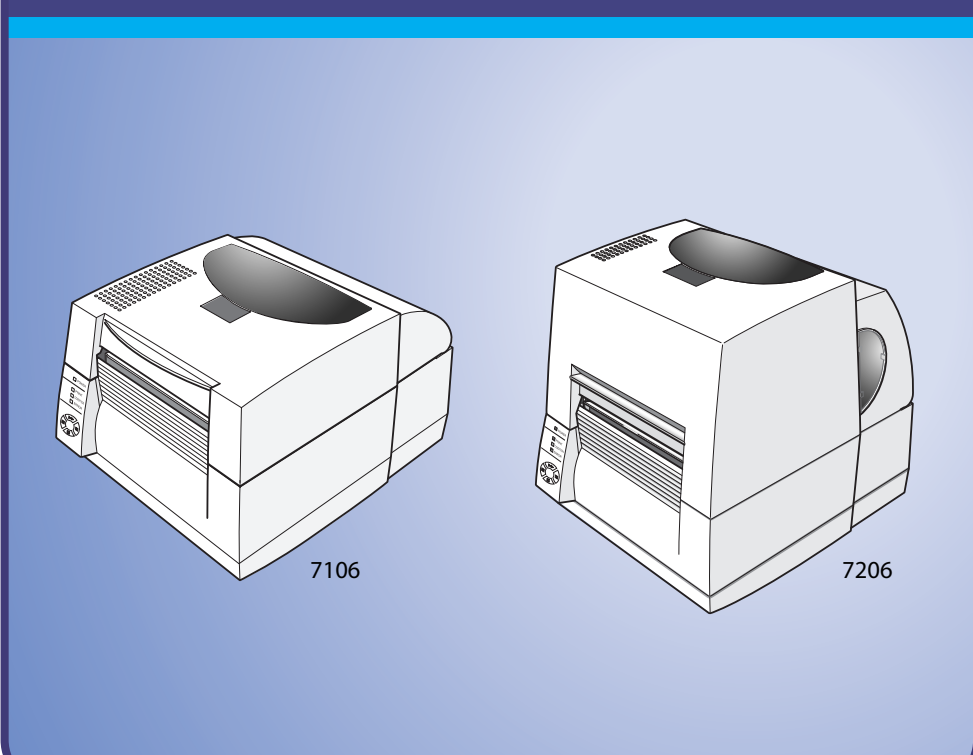
CE Marking Statement for European Users
CE marking shows conformity to the following criteria and provisions:
Low Voltage Directive (2006/95/EC; EN60950-1)
EMC Directive (2004/108/EC; EN55022, EN55024, EN61000-3-2, EN61000-3-3)
This product has been tested under EN 55022 and EN 55024 and has a specific level output no higher than 55dB(A).
This device is not intended for use as a video workstation in compliance with Bildschirmtext V.
FCC Compliance Statement for American Users
This equipment has been tested and found to comply with the limits for Class A digital device, pursuant to Part 15 of the FCC Rules. This equipment generates and uses radio frequency energy and if not installed and used properly, it may cause interference to radio or television reception, which can be determined by turning the equipment off and on. The user is encouraged to try to correct the interference by one or more of the following measures:
1. Reorient or relocate the receiving antenna.
2. Connect the equipment into an outlet on a circuit different from that to which the receiver is connected.
3. Consult the dealer or an experienced radio/TV technician for help.

EMC Compliance Statement for European Users
CE marking shows conformity to the following criteria and provisions:
Low Voltage Directive (2006/95/EC; EN60950-1)
EMC Directive (2004/108/EC; EN55022, EN55024, EN61000-3-2, EN61000-3-3)
This product has been tested under EN 55022 and EN 55024 and has a specific level output no higher than 55dB(A).
This device is not intended for use as a video workstation in compliance with Bildschirmtext V.



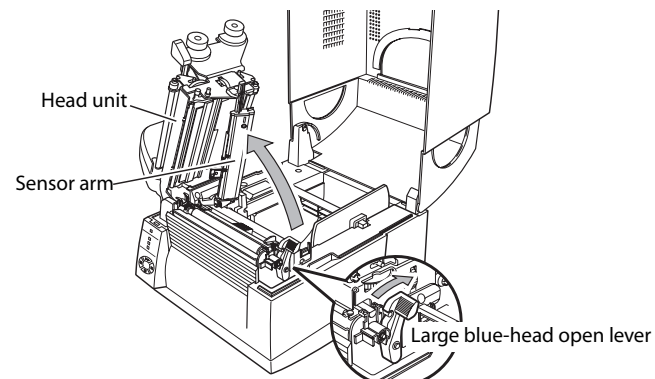
Quick Start Guide 7106 7206 Thermal Printers

This Quick-Start Guide covers basic operation. For detailed operating instructions, please see the User's Manual on the supplied CD-ROM.

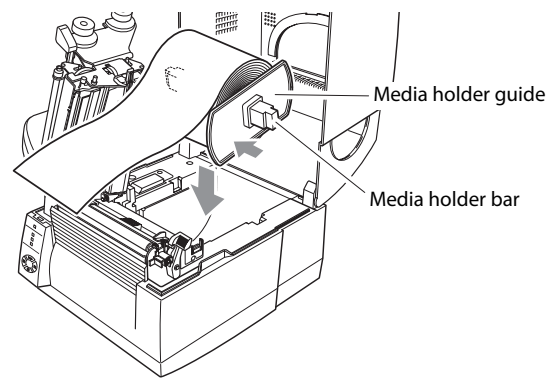


3 Media Installation

a. Push the large blue head open lever to release the head unit and then raise it to the position shown below. On the 7206, you will also need to raise the sensor arm by simply lifting it, the 7106 does this automatically.



b. Firstly, slide the two black plastic parts of the media holder assembly together. Ensure correct alignment of the guide with the bar as it can only be installed in one direction.
c. Slide the roll of media over the media bar. The media guide must be on the right side of the roll of media (as viewed from the front of the printer) with the ribbed surface of the media guide touching the media roll as shown in the illustration.

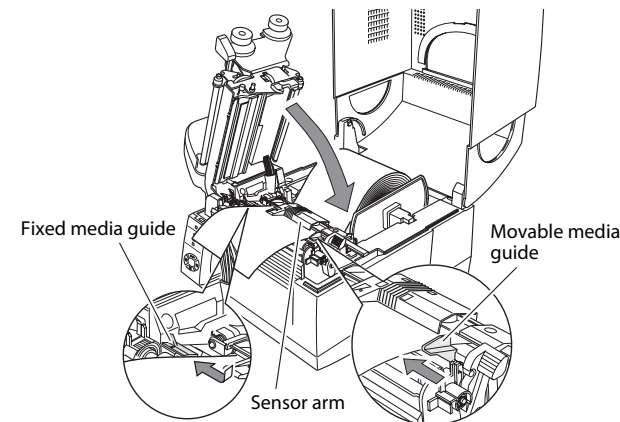


d. Set the media roll and media holder in to the printer as shown above. It is advisable to pull a length of media forwards and through the mechanism ready for later positioning.

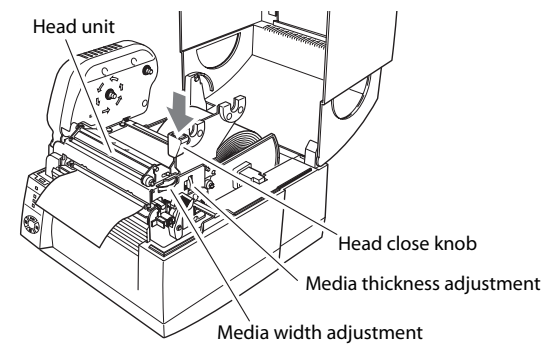
e. Move the media roll so it is touching the left side of the housing. Then slide the black media guide so it is touching the media on the right side. Do not try to hold the media too tightly with these guides as it will cause the printer to jam during printing.

f. You may need to adjust the media sensors as described in section 6. This will depend on the media types you are using.

g. Align the media with the left fixed media guide, align the right movable media guide with the media width, and lower the sensor arm.



h. Lower and lock the head unit. Align it with the width of the media that has been set, then set the media width and media thickness adjustment dials. See section 5 for more info.



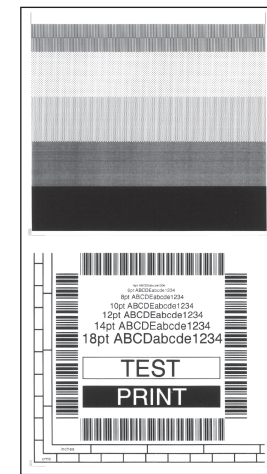
i. With the power switched on, push the FEED key to feed the media. It will halt at the next print start position.

5 Self Tests and Printer Configuration

Self Test Print

Performing a self test print is an easy way to check on the state of printer settings and print quality. Install the media as explained in sections 3 & 4 and then operate the printer as follows.

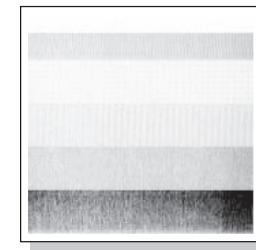
For label media
Turn on printer power while pushing the FEED key. When the PRINT LED has begun to flash slowly, release the FEED key.



For continuous media
Turn on printer power while pushing the FEED key. When the PRINT LED has stopped flashing slowly and has begun to flash rapidly, release the FEED key.

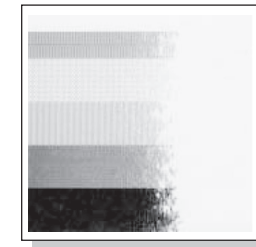
The printer will produce the self test shown, then it will stop. To repeat, press the FEED key again. To exit, switch off the printer.

Media Adjustments



Using the Self Test Print shown above, you can make adjustments to the printer settings such as media width and media thickness (printhead pressure). The location of these two adjustments is explained in section 3.h and also shown on the labels on the printer's mechanism.

The first sample, left, shows an incorrectly set "media thickness adjustment". For standard label media, it is recommended you set the blue dial to the "0" position.

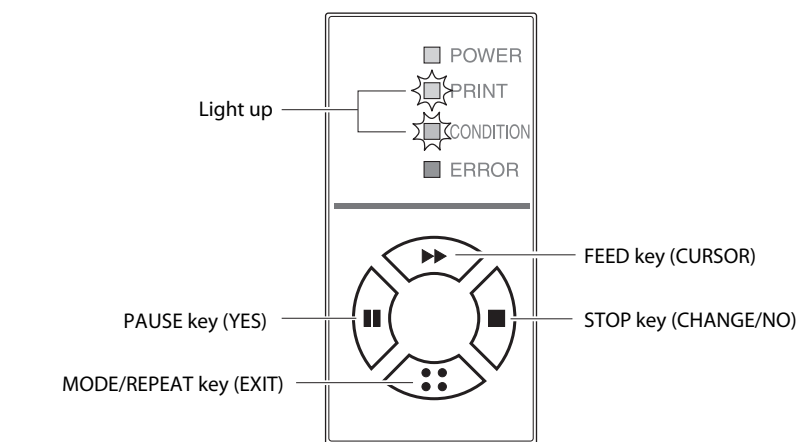


The second sample, left, shows an incorrectly set "media width adjustment". For 4-inch or 100mm wide media, the adjuster should be set to the "9" position on the blue dial.

The settings shown above are for general label media and may not apply to specialist media.

Printer Configuration Menu

If the printer power is turned on while the MODE/REPEAT key is pressed, the printer enters menu setup mode. In this mode, the printer's configuration can be changed using the menu system. During menu setting mode, the CONDITION LED is on. Media must be installed in the printer to use the Menu System.



Functions of the keys

After each menu item is printed, the printer will also print the function of each of the buttons at that time. They vary slightly depending on the menu selected but generally fit the following guidelines:

PAUSE key (YES):

It is pushed to either select the current menu option or to save the new setting after which it advances to the next menu.

STOP key (CHANGE/NO):

Whilst changing a menu value (such as head temperature), pressing this key displays the next menu value available but does not save the setting. In the "main menu", pressing this key moves to the next menu available.

FEED key (CURSOR):

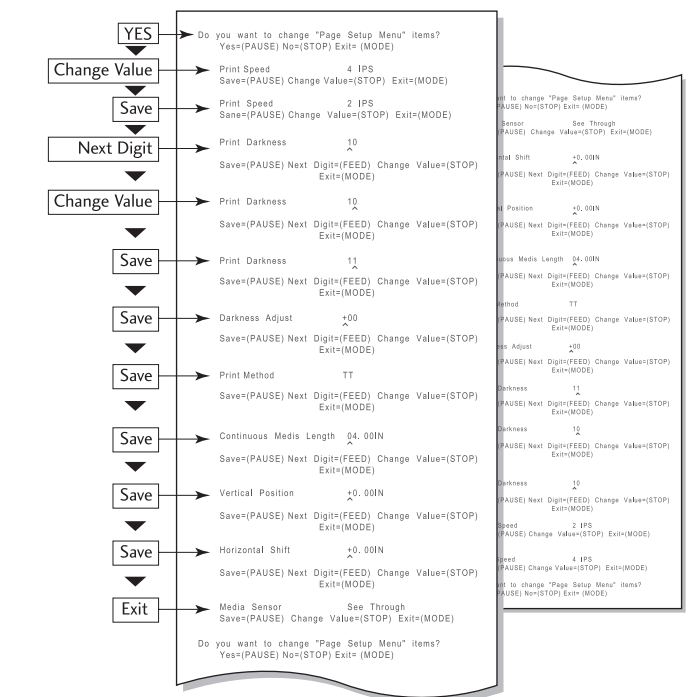
With some menu options such as head temperature, there is more than one "digit" than can be changed. This key moves the cursor to the next digit.

MODE/REPEAT key (EXIT):

Exits the current menu or the menu system.

Shown below is a sample menu output from the menu system. This particular example is changing the print speed and print darkness then continues through the remainder of the "Print Setup" menu.

The actual output from the printer is "vertically reversed" due to the way the printer outputs the menu options. Please look at the example below to see how the output changes.



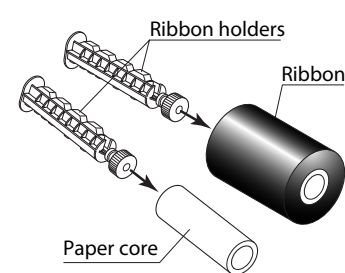
Caution

When you are changing a menu value, pressing the "PAUSE" key (YES) causes the printer to save the currently selected parameter. The CONDITION LED flashes briefly. Do not turn off the power to the printer at this time as this may cause a malfunction. If the power is accidentally turned off, first reset the printer to factory defaults.

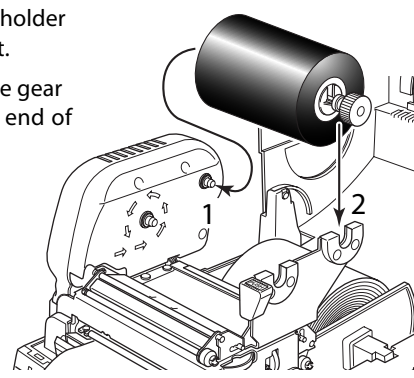
4 Thermal Transfer Ribbon Installation (7206 only)

a. Check the kind of ribbon used and set the ribbon winding direction using menu setup mode or operation panel. This is the method for installing an outside wound ribbon (also known as "ink out").

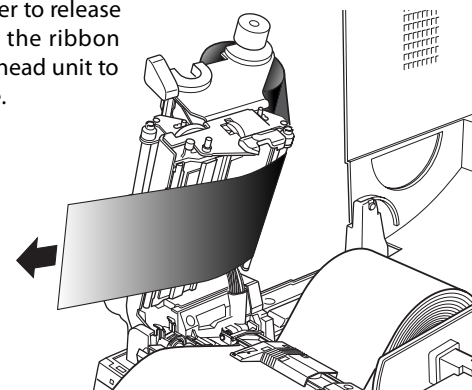
b. Place the new, unused ribbon and the paper core (tube) on to a ribbon holder each. Insert the ribbon holders all the way in to the ribbon and paper core.



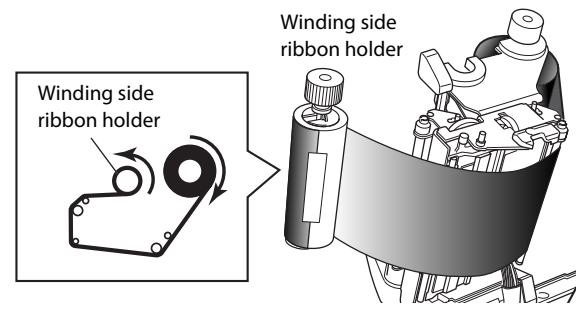
c. Install the unused ribbon and holder in to the rear ribbon drive unit. The splines on the ribbon drive gear mechanism engage with the end of the ribbon holder.



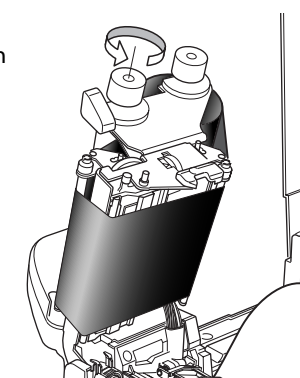
d. Push the head open lever to release the head unit. Pull out the ribbon from the bottom of the head unit to the ribbon winding side.



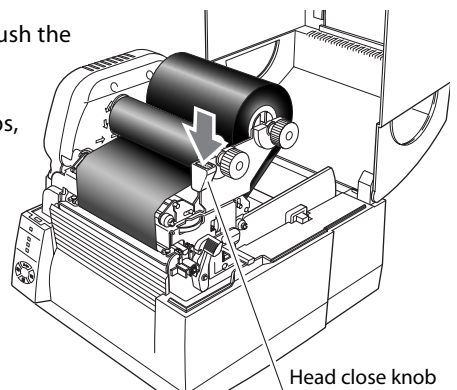
e. Using the adhesive leader of the ribbon or some adhesive tape, fix the end of the ribbon to the empty cardboard ribbon holder and wind on some ribbon.



f. Put the ribbon holder which holds the cardboard tube in the ribbon drive unit, then rotate it in the direction shown by the arrow to remove slack and wrinkles from the ribbon.



g. Push the head close knob to lower and lock the head unit. Be sure to always push the head close knob to lock the head unit.



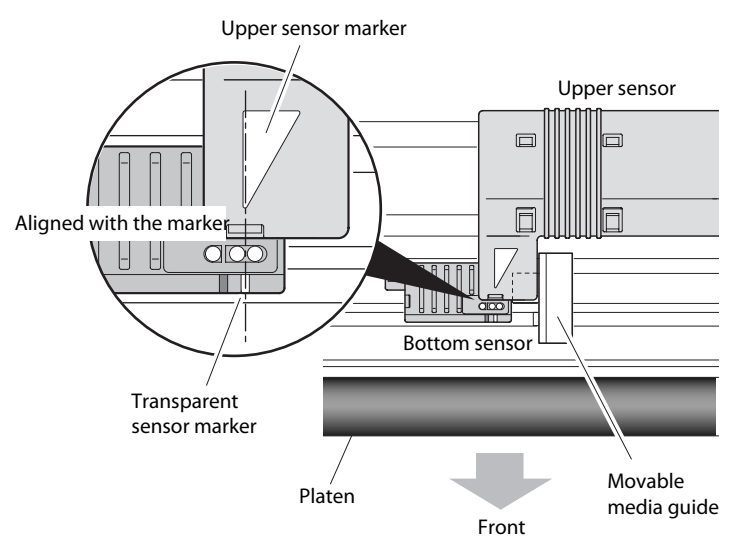
h. If the ribbon is wrinkled, push the FEED key until the wrinkles disappear. If the wrinkles do not disappear or if it slips, perform ribbon balance adjustment and ribbon tension adjustment as described in Chapter 3 of the full user's manual on the CD supplied.

6 Unusually Shaped Media Adjustment

For non-standard media sizes and shapes, you may need to adjust the media sensors from their usual positions

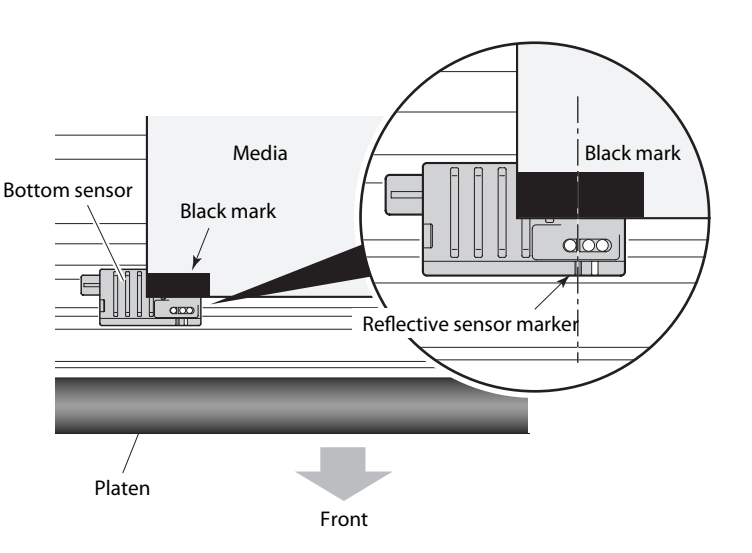
To detect gaps between labels and for media with notches or holes, use the transparent or see-through sensor:

- First, move the lower sensor to the center of the media installed or in line with the hole or notch in the media.
- Then align the upper sensor marker with the lower sensor marker as shown in the diagram below.
- For easy and quick alignment (and to reset to factory positions) slide both the upper and lower sensors to the right-most position of travel. They will now be perfectly aligned over the centre of the mechanism.



To detect media with black 'registration' marks on the back of the media, use the reflective sensor:

- In reflective sensor mode, only the lower sensor is used.
- Adjust the position of the lower reflective sensor so that the marker is at the center of the black mark on the media as shown below.
- The upper sensor arm is still closed over the media to help guide it through the printer, even though the upper sensor arm is no longer used.



7 Windows® Drivers

Printer Driver Installation

If the drivers are not included with the printer, you can download the latest version free-of-charge from our web site, details of which are on the back of this Quick Start Guide.

Under the latest versions of Windows®, the computer will often automatically detect the presence of the printer. Therefore it is advisable to download the drivers from our web site before installing the printer so the files are ready for installation:
www.dascom.com

During installation of the printer driver, the computer may ask you to select the printer required.

You will need to click on the "Have Disk..." box then tell the computer the location of the driver files on your CD ROM.

Your supplier will assist you with the correct drivers and software which are compatible with your particular computer system if you are not using Windows®.

Windows® is a trademark of Microsoft® Corporation.