

1 Read This First !

Congratulations...

On your choice of a Tally Dascom label printer.

Please take a moment to read this Quick Start Guide which will familiarise yourself with the printer and its operation. The printer is a sophisticated but easy-to-use label printer featuring simple media loading and quick connection together with a menu configuration systems displayed on the LCD panel.

We will guide you through unpacking the printer from its carton, connection to your computer system and installation of the media including a quick self-test of the printer to ensure it is working.

Safety

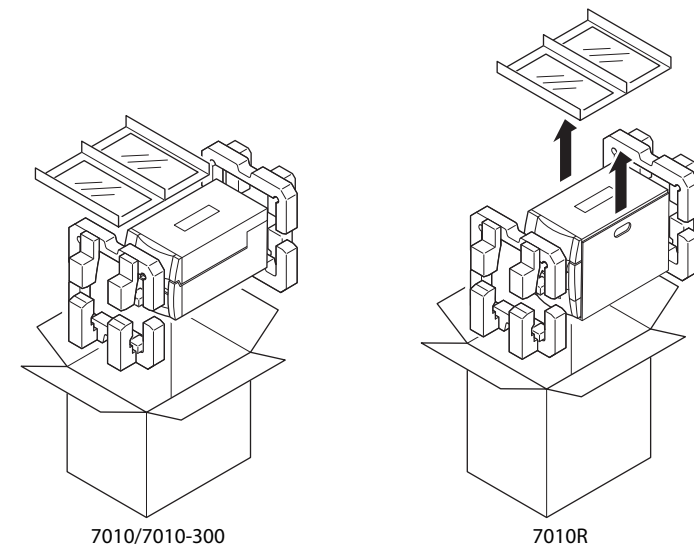
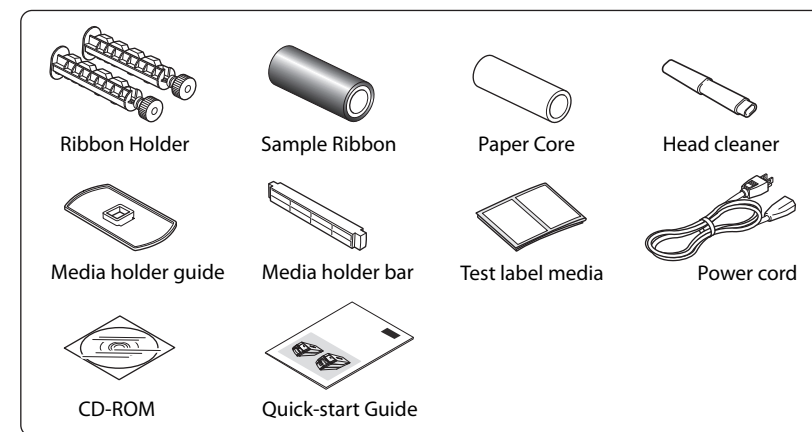
If you have not done so already, please carefully read the safety instructions included at the beginning of this Quick Start Guide and in more detail on the user manual included on the CD-ROM. Failure to observe the safety precautions could cause serious injury or damage to both you and your property.

Unpacking Your Printer

- Carefully unpack your new printer and ensure all the items shown on the adjacent picture are present in your printer's carton. Remember that the printer itself can weigh up to 18 kg (39 lbs) so ensure you lift the printer out of the box carefully with the assistance of another person.
- In some cases, your supplier or Tally Dascom may have added extra items required for your particular installation such as additional CD-ROM, cable or manuals. Instructions for each of these items will be included within the individual packages.
- If you have any questions, or if you find any of the items are missing, please initially refer back to your supplier. Otherwise, contact details for Tally Dascom's regional offices are shown on the back page of this Quick Start Guide.
- The printer is shipped with adhesive tape in place to hold the top cover closed. Simple remove the tape and open the case by lifting the top cover upwards and back.
- There is another strip of adhesive tape that must be removed which holds the mechanism closed for shipping. Remove the tape and attached paper by carefully peeling from the case. A further piece of packing paper is inside the mechanism. You can remove this when the head is opened for the first time (as shown in section 3b).

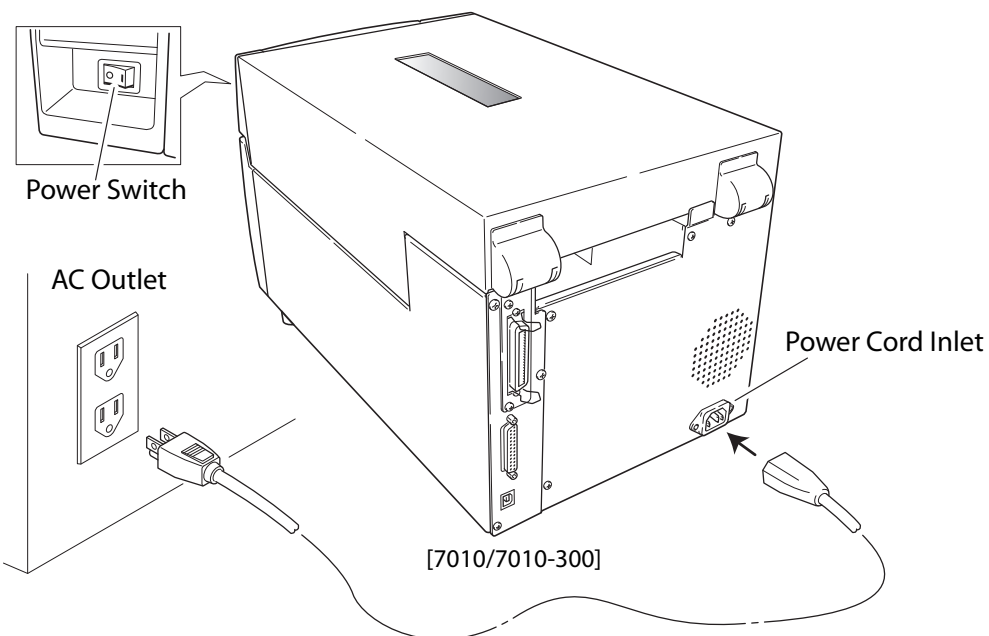
Basic Carton Contents

The following items are only present in the carton:



2 Connection to Power

- Check that the power switch to the printer is turned OFF.
- Connect the power cord to the power cord inlet on the printer.
- Insert the printer's mains plug into a suitably located mains socket.
- The power switch is located in the recess below the control panel on the front of the printer, so that it is easy to access when the printer is installed.



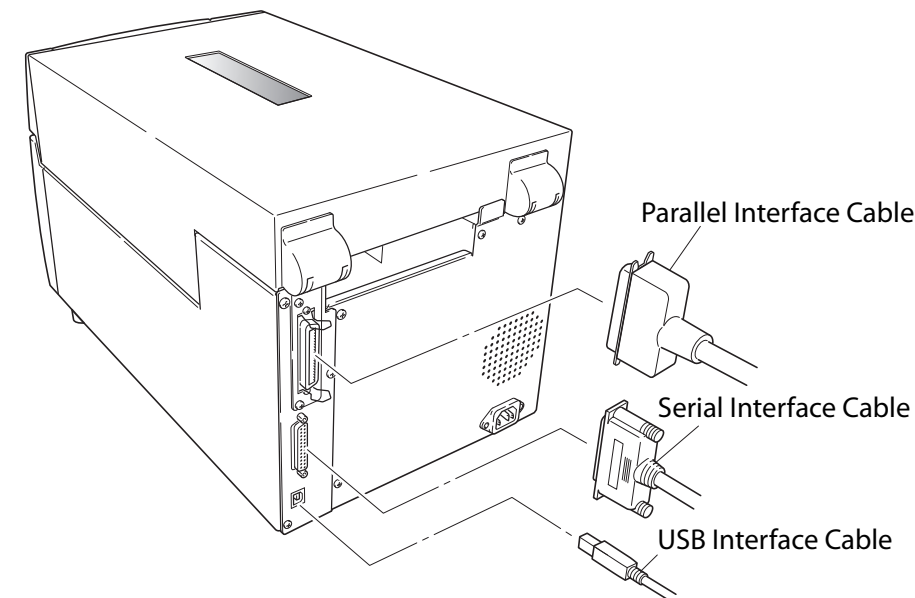
Caution Use an AC outlet that accepts a three-pronged plug. Otherwise, static electricity may be generated and there will be danger of electric shock.

Connection to a Computer

This product has three interfaces that can be used to receive printing data: a serial port (RS232C), parallel port (IEEE1284), and a USB port (USB1.1). An optional internal Ethernet (LAN) or Wireless LAN port can be added by your dealer. If the optional Ethernet or wireless LAN port is used, the standard parallel and USB ports are removed from the printer, so the parallel interface cannot be used.

With the exception of a wireless LAN connection, an interface cable is necessary to connect the printer to a computer. To connect the cable, proceed as follows:

- Turn OFF the power switches of both the printer and the computer.
- Connect one end of the interface cable to the interface connector on the back of the printer and secure it with locks or locking screws, where available.
- Connect the other end of the interface cable to the interface connector on the computer and secure it with locks or locking screws, where available.



For Further Information . . .

For further information and more detailed instructions on the use of your new printer, please refer to the complete user manual included on the CD-ROM accompanying your printer. Alternatively, you can download the user manual and additional data from Tally Dascom's websites shown below.

DASCOM REPRESENTATIVES

GERMANY
DASCOM Europe GmbH
Heuweg 3
D-89079 Ulm
Deutschland
Tel.: +49 (0) 731 2075 0
Fax: +49 (0) 731 2075 100
www.dascom.com

FRANCE
DASCOM Europe GmbH
117 Avenue Victor Hugo
92100 Boulogne-Billancourt
France
Phone: +33 (1) 73 02 51 98
www.dascom.com

UNITED KINGDOM
DASCOM GB Ltd
ViewPoint, Basing View,
Basingstoke, Hampshire
RG21 4RG, England
Phone: +44 (0) 1256 481481
Fax: +44 (0) 1256 481400
www.dascom.com

RUSSIA and CIS
DASCOM Europe GmbH
Representation Moscow
Leninsky Prospekt 95a, Office 322
119313 Moscow, Russian Federation
Phone: +7 (495) 984 70 65
Fax: +7 (495) 984 56 42
www.dascom.com

SINGAPORE
DASCOM AP Pte Ltd
63 Hillview Avenue
#08-22, Lam Soon Industrial Building
Singapore 669569
Phone: +65 6760 8833
Fax: +65 6760 1066
www.dascom.com

CEE
DASCOM Europe GmbH
Europaring F15 301
2345 Brunn a. G.
Austria
Phone: +43 (1) 236 01 70 10
www.dascom.com

AMERICAS
DASCOM Americas Corporation
421 W. Main Street
Waynesboro, VA 22980
USA
Phone: +1 (877) 434 13 77
www.dascom.com

All rights reserved
© June 2010 DASCOM Europe GmbH
Printed in China

379851a-EN
JN74950-00F

For the safe operation of your printer, please read the following important operation and safety instructions carefully. Failure to observe these precautions can result in personal injury or property damage or, in extreme situations, serious injury or death.

- Read all of these instructions and save them for later reference.
- Follow all warnings and instructions marked on the product.
- Unplug this product from the wall outlet before cleaning. Do not use liquid or aerosol cleaners. Immerse, refasten, or otherwise damage the printer.
- Do not use this product near water or where a chemical reaction can occur such as in a laboratory or where there is a lot of dust, fumes, or vapors.
- Do not place this product on an unstable cart, stand or table. The product may fall, causing serious damage to the product and possible injury to people around it.
- Slots and openings on the cabinet and the back or bottom are provided for ventilation. The openings should never be blocked by placing the product on a bed, sofa, rug or other similar surface. The product should never be placed near or over a radiator or heat source. This product should not be placed in a built-in installation unless proper ventilation is provided.
- The product should be operated from the type of power source indicated on the marking label. If you are not sure of the type of power available, consult your dealer for local power company.
- This product is equipped with a three-pronged plug. This plug will only fit into a grounding-type power outlet. If you are unable to insert the plug into the outlet, contact your electrician to replace your power outlet. Do not attempt to modify the plug in any way. If you are unable to locate a grounding-type plug, do not use this product. Do not use this product with an extension cord. Do not use this product with an extension cord unless the extension cord is rated for the same or higher ampere rating as the product. Do not use an extension cord that is used with this product. Make sure that the total of the ampere ratings on the products plugged into the power cord or data cables or any other power extension cord does not exceed the ampere rating. Also, make sure that the total of all products plugged into the wall outlet does not exceed 7.5 amperes for 220/240V outlet and 15 amperes for a 120V outlet.
- Never push objects of any kind into this product through slits or holes as they may touch dangerous voltage points or short out parts of the product. Do not insert any objects into the product. Never spill liquid of any kind on the product.
- Keep us equipped elsewhere in this manual, don't attempt to service or disassemble this product yourself. Opening and removing these covers that are marked "Do Not Remove" may expose you to dangerous voltage points or other risks. Refer all servicing on these components to service personnel.
14. The main plug on this equipment must be used to disconnect mains power. Please ensure that the socket outlet is installed near the equipment and shall be easily accessible.
15. Unplug this product from the wall outlet and refer servicing to qualified service personnel under the following conditions:
 - a. The power cord or plug is damaged or frayed.
 - b. Liquid, aerosol chemicals or other chemicals have been spilled into the product.
 - c. If the product has been exposed to rain or water or excessive humidity.
 - d. The product does not operate normally when the operating instructions are followed. Adjust only those controls that are covered by the operating instructions since improper adjustment of other controls may result in damage and will often require extensive work by a qualified technician to restore the product to normal operation.
 - e. If the product exhibits a distinct change in performance, including a change in speed.
 - f. If the product has been dropped or knocked or the cabinet has been damaged.
16. Discard or safely store the plastic packing bag. This bag should be kept away from children. If the bag is pulled over child's head, it may cause suffocation.
17. Make sure you open the top cover if it is opened all the way. If only partially open, the cover could slam shut, possibly causing injury.
18. When the cover is open, be careful of the corners of cover. They could cause injury.
19. Do not open the cover during printing.
20. Open the cover gently and properly.
21. Do not open the cover during printing. Opening the cover may cause problems or malfunction. Do not use such sharp-edged tools as a ballpoint pen for operation.
22. The contents of this manual may be changed without prior notice.
23. Reproduction, transfer, or transmission of the contents of this manual without prior consent is strictly prohibited.
24. We are not liable for any damage resulting from the use of the information contained herein, regardless of errors, omissions, or misprints.

EMC Compliance Statement for Canadian Users
This equipment generates and uses radio frequency energy and if not installed and used properly, that is, in strict accordance with the manufacturer's instructions, may cause interference to radio and television reception. This digital apparatus does not exceed the Class A limits for radio noise emissions from digital apparatus set out in the Radio Interference Regulations of the Canadian Department of Communications. This equipment is designed to provide reasonable protection against such interference in a residential installation. However, there is no guarantee that interference will not occur in a particular installation. If this equipment does cause interference to radio or television reception, which can be determined by turning the equipment off and on, the user is encouraged to try to correct the interference by one or more of the following measures:
 • Reorient or relocate the receiving antenna.
 • Connect the equipment into an outlet on a circuit different from that to which the receiver is connected.
 • Consult the dealer or an experienced radio/TV technician for help.
CAUTION: Use shielded cables to connect this device to computers. Any changes or modifications not expressly approved by the manufacturer of this device could void the user's authority to operate the equipment.
Etat de Conformité EMI à l'usage des Utilisateurs Canadiens
Cet équipement produit et utilise l'énergie à radiofréquences et, s'il n'est pas installé et utilisé correctement, c'est-à-dire en accord strict avec les instructions du fabricant, il risque de provoquer des interférences avec la réception de la radio et de la télévision. Cet appareil numérique n'exécute pas de bruit de radio émissible au-dessus des limites supérieures aux appareils numériques de la classe A prescrites dans le Règlement sur le brouillage radioélectrique édicté par le ministre des Communications du Canada. Cet équipement est conçu pour fournir une protection satisfaisante contre de telles interférences dans une installation résidentielle. Cependant, il n'y a pas de garantie contre les interférences avec les récepteurs radio ou télévision, provoquées par la mise en hors circuit de l'équipement. Toutefois, il est demandé à l'utilisateur d'essayer de corriger l'interférence par l'une ou plus des mesures suivantes:
 • Réorienter l'antenne de réception.
 • Brancher l'équipement dans une prise de courant différente de façon à ce que l'équipement et le récepteur soient branchés sur des circuits différents.
 • Brancher l'équipement dans une prise de courant différente de celle à laquelle le récepteur est branché.
Precaution: Utiliser des câbles blindés pour connecter cet appareil à des ordinateurs. Toute modification ou changement non explicitement approuvé par le fabricant de cet appareil pourrait invalider l'autorisation de l'utilisateur d'utiliser l'équipement.

Safety Instructions - which must be strictly observed



Quick Start Guide 7010 Thermal Printer

This Quick-Start Guide covers basic operation. For detailed operating instructions, please see the User's Manual on the supplied CD-ROM.

