

DP-581

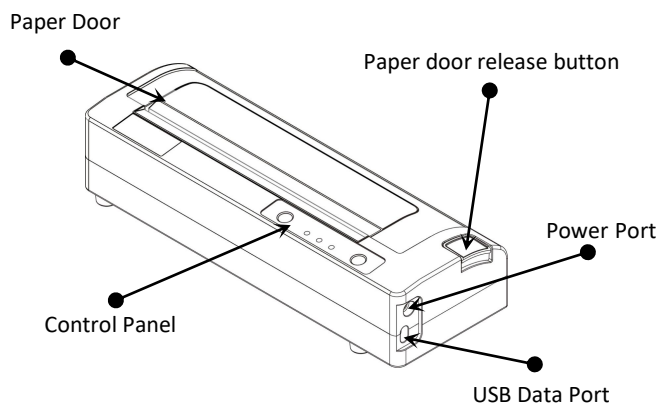
Quick Start Guide

This guide provides information on the daily use of the DP-581 printer.
For additional information, please refer to the DP-581 User Guide.

**Before you begin, please visit <https://www.dascom.com/downloads.html>
Printing Solutions; Download Centre, to download the according printer driver.**



Printer features

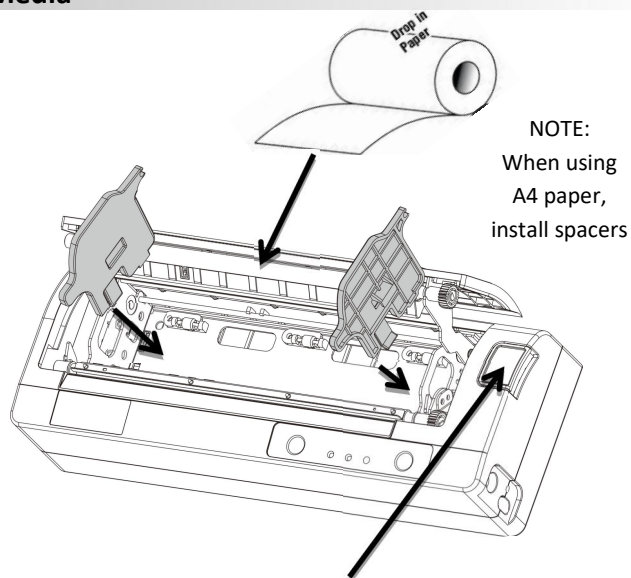


Printer with optional battery: Charging

- New batteries are shipped in uncharged state.
- Charge using Dascom approved external AC or DC adapter.
- DO NOT charge battery via USB port.
- Charge for minimum of four hours prior to use.

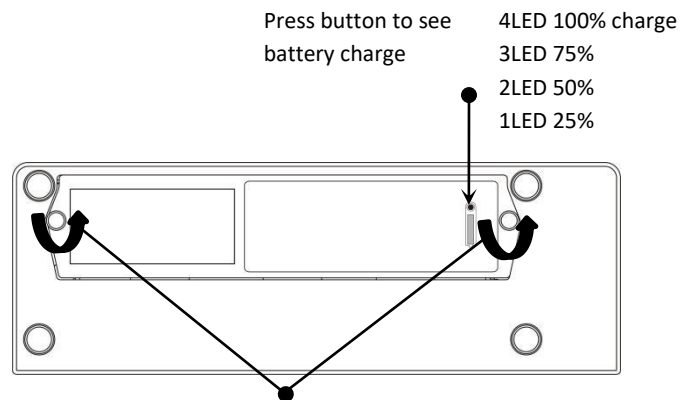
Approximate battery life of 100 pages.

Media



Press Paper door release button to open the paper compartment door. Pull small leader of paper out and close paper door. "Clicks" when properly closed.

Printer with optional battery: Replacement








Remove the two screws to remove the battery.

Disposal

Please dispose the batteries separately and free of cost at your sales agency or the designated local collecting points. Therefore please consider the national recycling standards!

DP-581 Quick Start Guide

Control Panel indicators

 Power Button	Power Up Power Down Toggle IP over USB on/off	Press & Release Press & Hold Press twice	
 Paper Feed Button	Advance paper Print Setup Report	Press once(LF) or long(FF) Press twice	
Power & Status (Green/Red) 	Battery (Yellow) 	Alert (Red) 	Indication
On	Off	On	Booting up(... 20 sec!)
On	Off	Off	Ready
On	Off	Flashing	Paper Error/Lid Open
Flashing	Off	Off	Job is arriving
Flashing	Off	Off	Job is printing
Flashing	Off	Flashing	IP over USB active
	On		Charging Battery
	Flashing		Battery Low
Flashing	Flashing	Flashing	Restart the printer manually
Off	Off	Flashing	Restore the printer firmware
Off	Off	On	Print head too hot

Self-Test / Configuration print out



With power on, press the Paper Feed button twice quickly.

Accessing the Configuration Menus through USB

1. Turn the printer ON.
2. Connect a USB cable between the printer and a PC.
3. To access the DP-581 web page, push the Power button twice rapidly. This will put the printer into Configuration mode.
4. When the printer is in Configuration mode the POWER and FAULT LEDs will flash together.
 - A. Open browser on your PC and type 169.254.200.1 into the address bar of the browser and hit Enter - A login box should appear:
 - B. Type "0000" and hit Enter- you should now be at the home page for DP-581 Configuration.
5. Push the Power button twice rapidly to exit Configuration Mode.



Some country specific Windows Operating Systems does not have activated or installed the RNDIS driver to use the IP-over-USB mode. Therefore please refer to our Dascom Internet pages!



Once the printer is connected via USB and in *IP over USB* mode it is temporarily not possible to access the Internet.

Dascom Representatives

Americas	Dascom Americas LLC	34 Lakeview Court	Verona, VA 24482, USA	Phone: +1 (877) 434 1377
UK	DASCOM GB Ltd	Hart House, Priestley Road	Basingstoke, Hampshire, RG24 9PU	Phone: +44 (0) 1256 355130
Germany	DASCOM Europe GmbH	Heuweg 3	D-89079 Ulm	Phone: +49 (0) 731 2075 0
France	DASCOM Europe GmbH	117 Avenue Victor Hugo	92100 Boulogne-Billancourt	Phone: +33 (1)73 02 51 98
Singapore (AP)	DASCOM AP Pte Ltd	2 Jurong East Street 21	#05-42, IMM Building, Singapore 609601	Phone: +65 6760 8833