

# DP-530si

*Tally*  
**DASCOM**

## Quick Start Guide

This guide provides information on the daily use of the DP-530si printer. For additional information, please refer to the DP-530si User Guide.

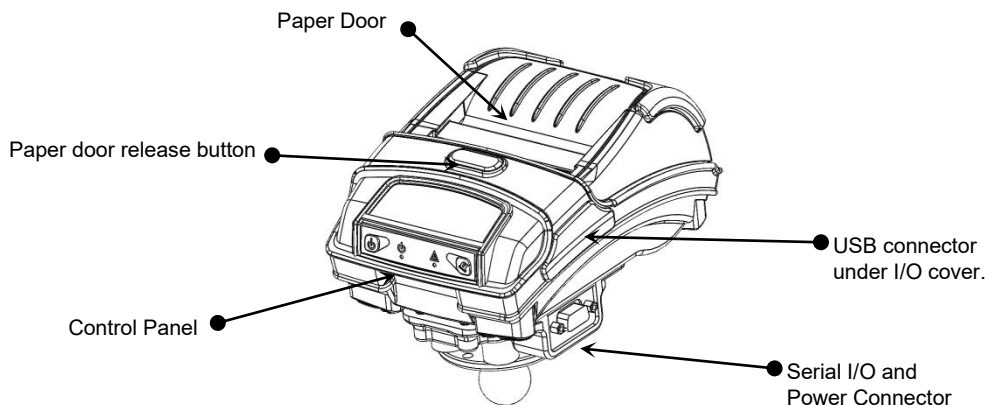
Before you begin, please visit <https://www.dascom.com/downloads.html>

Printing Solutions; Download Centre, to download the according printer driver.

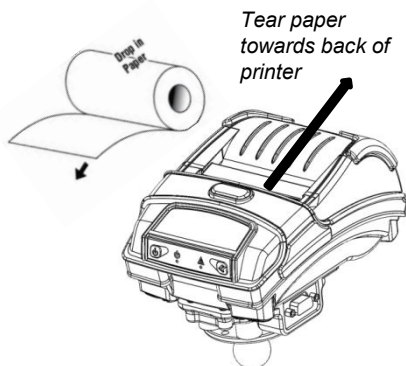


Download  
Center

### Printer features



### Media



Press Paper door release button to open the paper compartment. Pull small leader of paper out and close paper door. "Clicks" when properly closed.

### Serial I/O and Power Cable

Use table to connect Power and RS232 serial communication.

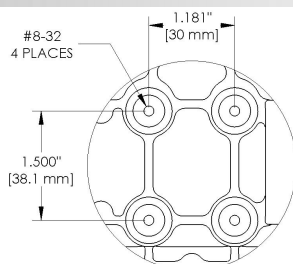
#### Serial Cable

Pin	Color	Description
2	White	Receive data (from Host)
3	Red	Transmit data (from Printer)
5	Black	Ground

#### Power Cable

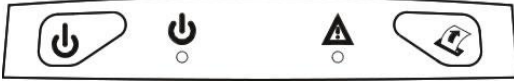
Pin	Color	Description
5	Black	Ground
8	Red	Power

### Mount Dimensions



# DP-530si Quick Start Guide

## Control Panel indicators



Power & Status (Green/Red)	Alert (Red)	Indication
On	On	Booting up
On	Off	Ready
On	Flashing	Paper Error/Lid Open
Flashing	Off	Job is arriving
Flashing	Off	Job is printing
Flashing	Flashing	IP over USB active
X	X	Charging Battery
		Battery Low

	Function:	How to:
Power Button	Power up Power down Toggle IP over USB on/off	Press & Release Press & Hold Press Twice
Paper feed button	Advance paper Print self-test	Press once Press twice

## Self-Test / Configuration print out



To print the configuration report and self-test: With Power on, press the paper feed button twice quickly. To access configuration menu refer to Operator's Manual.

## USB Access to Printer Web Pages

1. Connect USB cable from printer to host
2. With printer turned on, set the printer into configuration mode by double-clicking the POWER button. Both the Power LED and Fault LED will flash together.
3. Open browser on your host and type 169.254.200.1 into the address bar of the browser (**Note:** Firefox or Chrome will work best) and hit Enter.
4. A login box should appear.



Some country specific Windows Operating Systems does not have activated or installed the RNDIS driver to use the IP-over-USB mode. Therefore, please refer to our Dascom Internet pages!



Once the printer is connected via USB and in *IP over USB* mode it is temporarily not possible to access the Internet.

5. Type "0000" and hit Enter- you should now be at the home page for DP-530si Configuration.
6. To return the printer to normal operating mode, double-click the POWER button. The Power LED will be returned to a solid light.

## Dascom Representatives

Americas	Dascom Americas Corp	34 Lakeview Court	Verona, VA 24482, USA	Phone: +1 (877) 434 1377
UK	DASCOM GB Ltd	Hart House, Priestley Road	Basingstoke, Hampshire, RG24 9PU	Phone: +44 (0) 1256 355130
Germany	DASCOM Europe GmbH	Heuweg 3	D-89079 Ulm	Phone: +49 (0) 731 2075 0
France	DASCOM Europe GmbH	117 Avenue Victor Hugo	92100 Boulogne-Billancourt	Phone: +33 (1)73 02 51 98
Singapore (AP)	DASCOM AP Pte Ltd	2 Jurong East Street 21	#05-42, IMM Building, Singapore 609601	Phone: +65 6760 8833